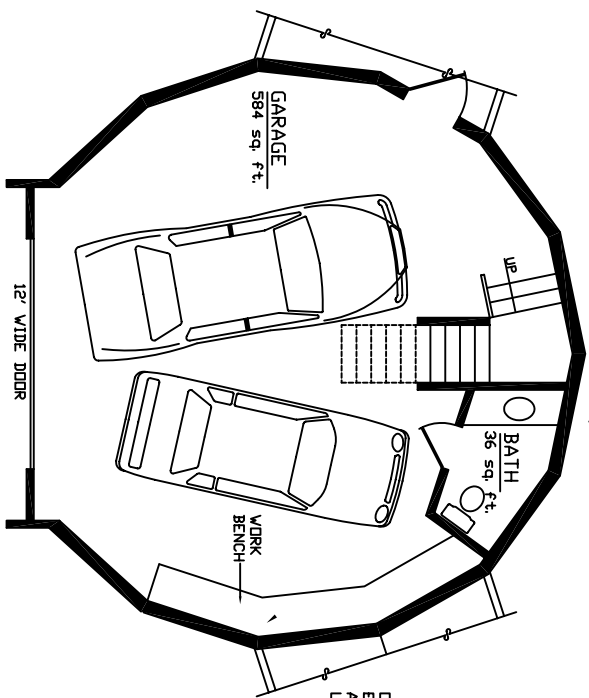


AMERICAN INGENUITY

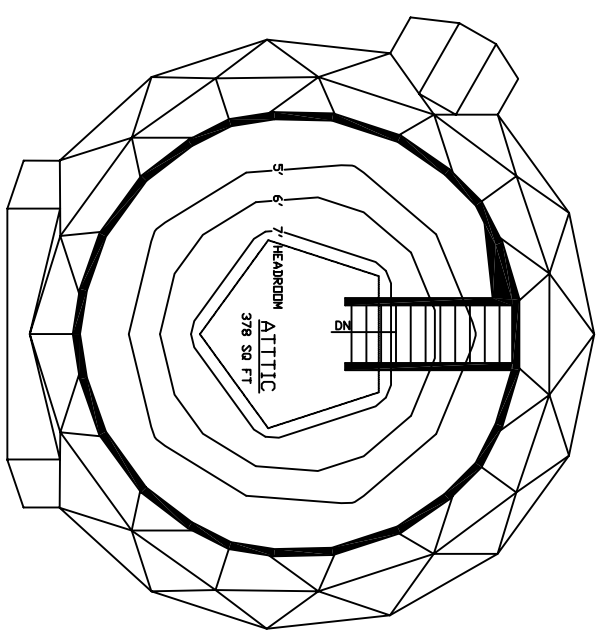
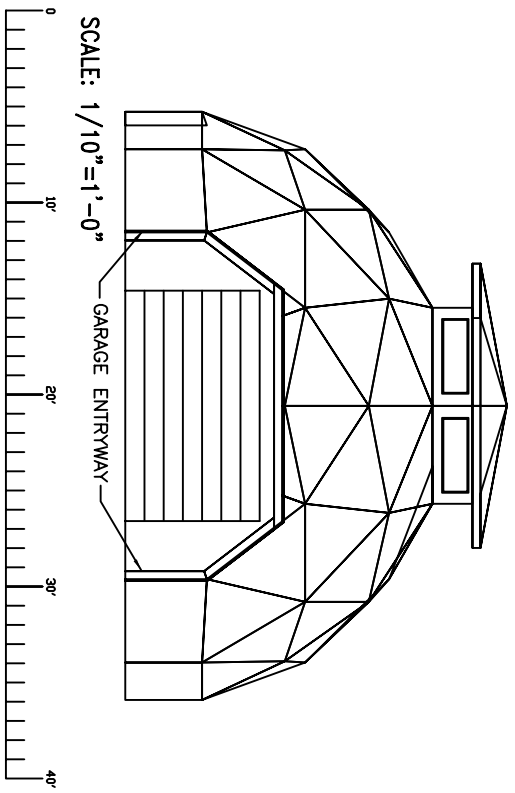
▲ 30 GAMMA 1 ▲

FIRST FLOOR: 658 sq.ft.
 SECOND FLOOR: 378 sq.ft.
TOTAL: 1,036 sq.ft.



OPTIONAL LOCATION FOR AN ENTRYWAY, OR A LINK TO ANOTHER DOME. 2 POSSIBLE LOCATIONS.

FIRST FLOOR PLAN



SECOND FLOOR PLAN

