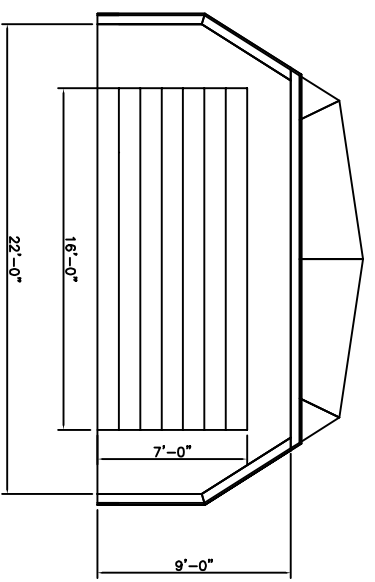
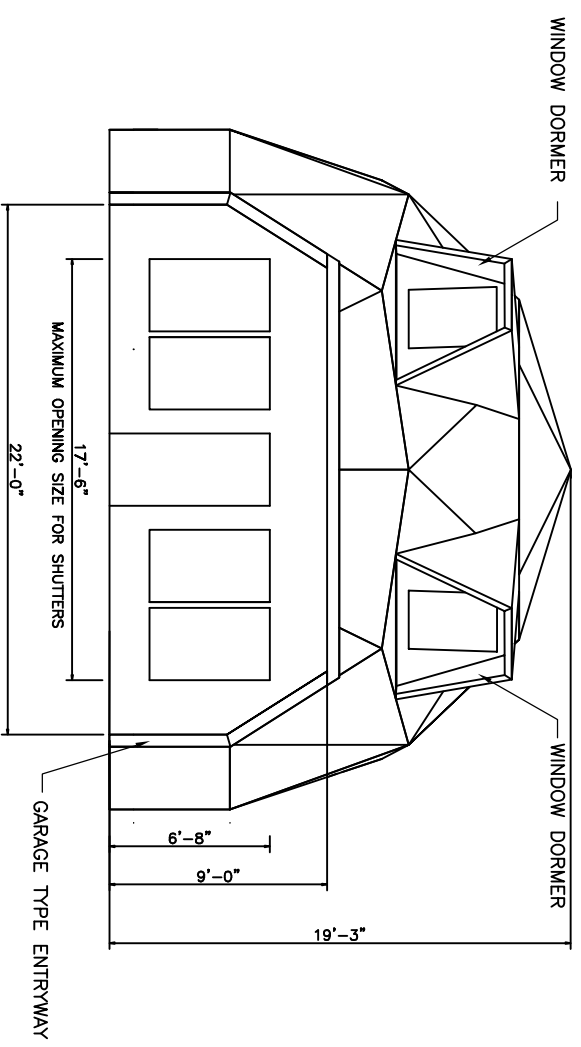
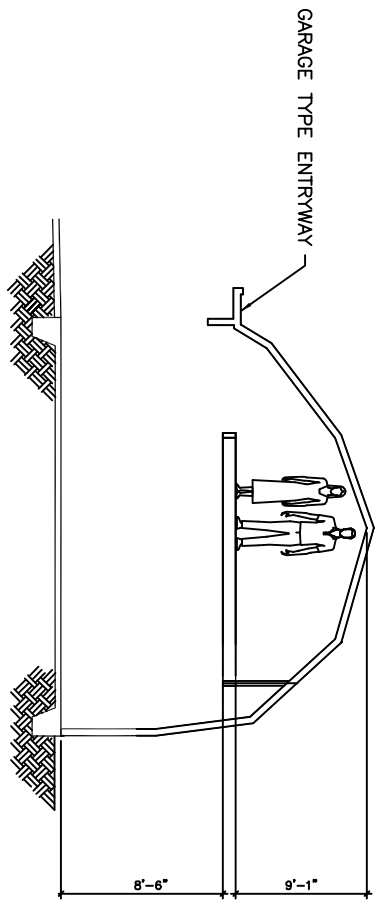


AMERICAN INGENUITY
▲ 27 DOME ELEVATIONS ▲

WITH CUSTOM 5' RISER

1ST FLOOR AREA: 555 sq ft
 2ND FLOOR AREA, MAX. 231 sq ft
 (TO 5' HEADROOM)

TOTAL MAX: 786 sq ft.



27_ELEV